

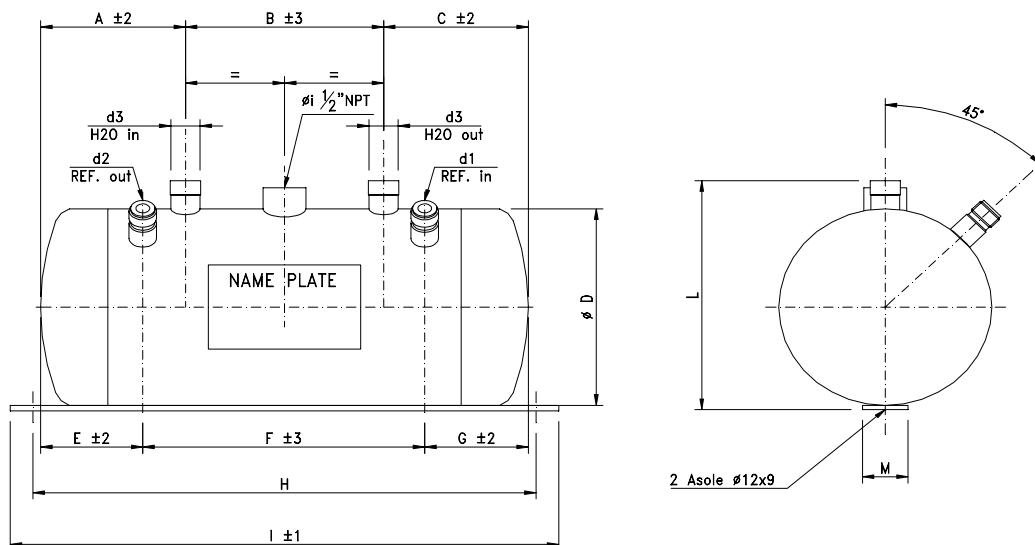
CEO - CEV

**CONDENSATORI ERMETICI**  
***HERMETIC CONDENSERS***

CE



**Advanced heat transfer  
Solutions**



|                        |            |            |
|------------------------|------------|------------|
| <b>MODELLO / MODEL</b> | <b>CEO</b> | <b>1,5</b> |
|------------------------|------------|------------|

|                                       |                                  |
|---------------------------------------|----------------------------------|
| <b>Codice articolo / Code article</b> | <b>F3900801</b>                  |
|                                       | categoria PED I / PED category I |

|  |                    |       |
|--|--------------------|-------|
| <b>Potenza / Capacity</b>                        | kW                 | 1,5   |
|  | Tons (RT)          | 0,38  |
| <b>Portata / Flow rate</b>                       | m <sup>3</sup> / h | 0,117 |
| <b>Aumento di temp. Acqua / Water temp. gain</b> | K                  | 10    |
| <b>ΔP / Pressure drop</b>                        | kPa                | 4,3   |

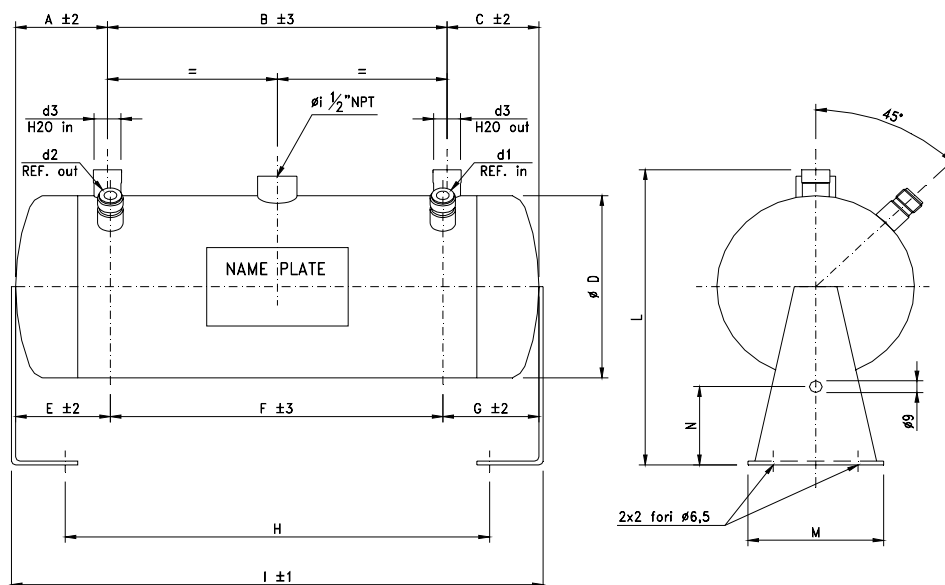
|   |   |     |
|---|---|-----|
| <b>Volume lato refrigerante / Refrigerant side volume</b> | L | 4,3 |
| <b>Volume lato acqua / Water side volume</b>              |   | 0,3 |

|   |    |       |
|---|----|-------|
| <b>Dimensioni [mm]</b><br><i>Dimensions</i> | A  | 95    |
|   | B  | 130   |
|   | C  | 95    |
|   | D  | 139.7 |
|   | E  | 67    |
|   | F  | 185   |
|   | G  | 68    |
|   | H  | 330   |
|   | I  | 360   |
|   | L  | 163   |
| M   | 30 |       |

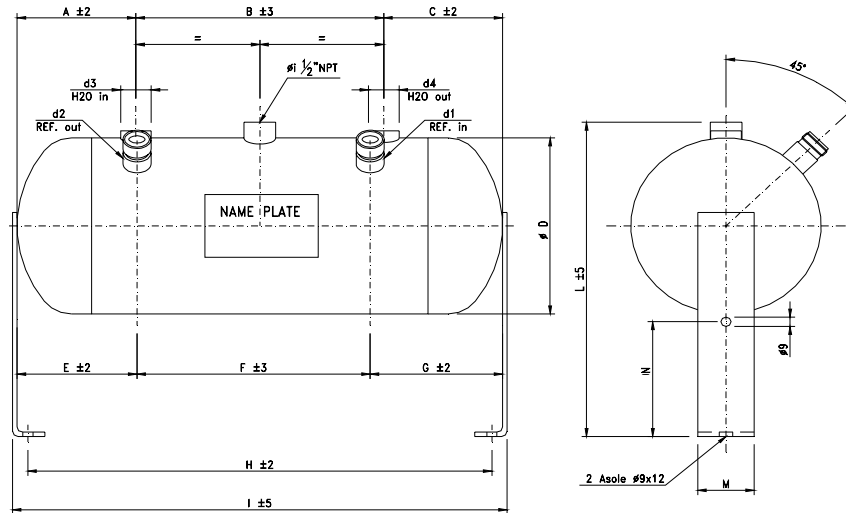
|  |    |           |
|--|----|-----------|
| <b>Connessioni</b><br><i>Connections</i> | d1 | RTLK 3/4" |
|  | d2 | RTLK 3/4" |
|  | d3 | ODS 3/8"  |
|  | d4 | ODS 3/8"  |

|                      |    |   |
|----------------------|----|---|
| <b>Peso / Weight</b> | kg | 4 |
|----------------------|----|---|

|   |  |                             |
|---|--|-----------------------------|
| <b>Dati nominali</b><br><i>Nominal data</i> | Temp. entrata acqua / <i>Inlet water temperature</i>     | +25,0 °C                    |
|   | Temp. di condensazione / <i>Condensation temp. R404A</i> | +45,0 °C                    |
|   | Sottoraffreddamento / <i>Subcooling</i>                  | +3 K                        |
|   | Fattore di sporcamento / <i>Fouling factor</i>           | 0,000043 m <sup>2</sup> K/W |



| MODELLO / MODEL                                    | CEO  | 2                             | 3        |
|--|--|-------------------------------|----------|
| Codice articolo / Code article                     |  | F3900802                      | F3900803 |
| categoria PED I / PED category I                   |  |                               |          |
| Potenza / Capacity                                 | kW   | 1,84                          | 2,70     |
|  | Tons (RT)  | 0,52                          | 0,77     |
| Portata / Flow rate                                | m <sup>3</sup> / h                                       | 0,159                         | 0,234    |
| Aumento di temp. Acqua / Water temp. gain          | K  | 10                            | 10       |
| ΔP / Pressure drop                                 | kPa  | 8,8                           | 21,5     |
| Volume lato refrigerante / Refrigerant side volume | L  | 4,3                           | 4,1      |
| Volume lato acqua / Water side volume              | L  | 0,3                           | 0,4      |
| Dimensioni [mm]<br>Dimensions                      | A  | 65                            |          |
|  | B  | 240                           |          |
|  | C  | 65                            |          |
|  | D  | 139.7                         |          |
|  | E  | 67                            |          |
|  | F  | 235                           |          |
|  | G  | 68                            |          |
|  | H  | 300                           |          |
|  | I  | 376                           |          |
|  | L  | 227                           |          |
| Connessioni<br>Connections                         | d1   | RTLK 3/4"                     |          |
|  | d2   | RTLK 3/4"                     |          |
|  | d3   | ODS 3/8"                      |          |
|  | d4   | ODS 3/8"                      |          |
| Peso / Weight                                      | kg   | 4                             | 6        |
| Dati nominali<br>Nominal data                      | Temp. entrata acqua / Inlet water temperature            | +25,0 °C                      |          |
|  | Temp. di condensazione / Condensation temp. <b>R404A</b> | +45,0 °C                      |          |
|  | Sottoraffreddamento / Subcooling                         | +3 K                          |          |
|  | Fattore di sporcamento / Fouling factor                  | 0,000043 m <sup>2</sup> K / W |          |



| MODELLO / MODEL                                    |  | CEO | 4                           | 6        |
|--|--|-----|-----------------------------|----------|
| Codice articolo / Code article                     |  |     | F3900804                    | F3900806 |
| categoria PED I / PED category I                   |  |     |                             |          |
| Potenza / Capacity                                 | kW   |     | 4,16                        | 6,06     |
|  | Tons (RT)  |     | 1,18                        | 1,72     |
| Portata / Flow rate                                | m <sup>3</sup> / h                                       |     | 0,240                       | 0,350    |
| Aumento di temp. Acqua / Water temp. gain          | K  |     | 15                          | 15       |
| ΔP / Pressure drop                                 | kPa  |     | 1,5                         | 3,4      |
| Volume lato refrigerante / Refrigerant side volume | L  |     | 6,6                         | 6,4      |
| Volume lato acqua / Water side volume              | L  |     | 0,4                         | 0,7      |
| Dimensioni [mm]<br>Dimensions                      | A  |     | 105                         |          |
|  | B  |     | 219                         |          |
|  | C  |     | 105                         |          |
|  | D  |     | 168,3                       |          |
|  | E  |     | 106                         |          |
|  | F  |     | 206                         |          |
|  | G  |     | 117                         |          |
|  | H  |     | 410                         |          |
|  | I  |     | 437                         |          |
| L  |  | 300 |                             |          |
| M  |  | 50  |                             |          |
| N  |  | 110 |                             |          |
| Conessioni<br>Connections                          | d1   |     | RTLK 1"                     |          |
|  | d2   |     | RTLK 1"                     |          |
|  | d3   |     | G 1/2"                      |          |
|  | d4   |     | G 1/2"                      |          |
| Peso / Weight                                      | kg   |     | 10                          | 11       |
| Dati nominali<br>Nominal data                      | Temp. entrata acqua / Inlet water temperature            |     | +25,0 °C                    |          |
|  | Temp. di condensazione / Condensation temp. <b>R404A</b> |     | +45,0 °C                    |          |
|  | Sottoraffreddamento / Subcooling                         |     | +3 K                        |          |
|  | Fattore di sporcamento / Fouling factor                  |     | 0,000043 m <sup>2</sup> K/W |          |



## Limiti di impiego / Working conditions

### Condensatori ermetici / Hermetic Condensers

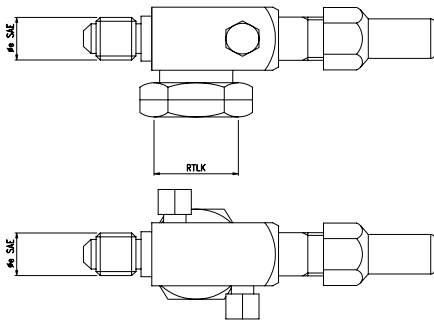
| Temperatura di progetto /<br>Design Temperature<br>TS | Pressione di progetto / Design Pressure<br>PS | Pressione di progetto / Design Pressure<br>PS |                  |
|---|---|---|------------------|
|   |   | Gas   | H <sub>2</sub> O |
| Min / Max [°C]  |   | [bar]   |                  |
| <b>CE</b>   | - 10 / + 120                                  | 30  | 10               |

## Accessori su richiesta/ Accessories on request

## GHIERA E RACCORDI ROTALOCK / ROTALOCK NUT AND FITTING

| MODELLO/<br>MODEL | RFRIGERANT INLET |     |                      | RFRIGERANT OUTLET |     |                      |
|-------------------|------------------|-----|----------------------|-------------------|-----|----------------------|
|                   | CONNECTION TYPE  | ODS | NUT +FITTING<br>CODE | CONNECTION TYPE   | ODS | NUT +FITTING<br>CODE |
| CEO 1,5           | RTLK 3/4"        | 10  | F7030001             | RTLK 3/4"         | 10  | F7030001             |
| CEO 2             | RTLK 3/4"        | 10  | F7030001             | RTLK 3/4"         | 10  | F7030001             |
| CEO 3             | RTLK 3/4"        | 10  | F7030001             | RTLK 3/4"         | 10  | F7030001             |
| CEO 4             | RTLK 1"          | 16  | F7031002             | RTLK 1"           | 16  | F7031002             |
| CEO 6             | RTLK 1"          | 16  | F7031002             | RTLK 1"           | 16  | F7031002             |
| CEV 15            | RTLK 1"          | 16  | F7031002             | RTLK 3/4"         | 10  | F7030001             |
| CEV 30            | RTLK 1 1/4"      | 22  | F7032002             | RTLK 1"           | 16  | F7031002             |
| CEV 45            | RTLK 1 1/4"      | 22  | F7032002             | RTLK 1"           | 16  | F7031002             |
| CEV 50            | RTLK 1 1/4"      | 22  | F7032002             | RTLK 1"           | 16  | F7031002             |
| CEV 80            | RTLK 1 3/4"      | 35  | F7033002             | RTLK 1 1/4"       | 22  | F7032002             |

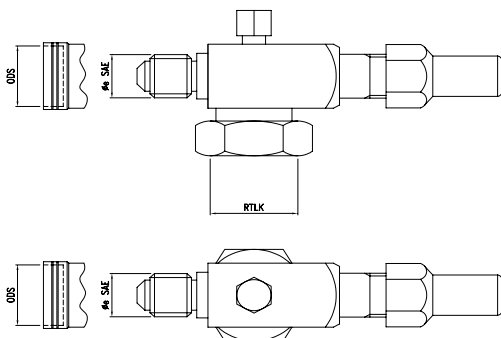
## RUBINETTI ROTALOCK / ROTALOCK VALVES



|            | MODEL   | CODE FOR<br>VALVE | RTLK | Øe SAE |
|------------|---------|-------------------|------|--------|
| <b>CEO</b> | CEO 1,5 | M4100070          | 3/4" | 3/8"   |
|            | CEO 2   | M4100070          | 3/4" | 3/8"   |
|            | CEO 3   | M4100070          | 3/4" | 3/8"   |
|            | CEO 4   | M4100075          | 1"   | 3/8"   |
|            | CEO 6   | M4100075          | 1"   | 3/8"   |

CEV 80

CEV 15 ÷50



|            | MODEL  | CODE FOR<br>VALVE | RTLK   |          |
|------------|--------|-------------------|--------|----------|
| <b>CEV</b> | CEV 15 | M4100080          | 3/4"   | 1/2" SAE |
|            | CEV 30 | M4100085          | 1"     | 5/8" SAE |
|            | CEV 45 | M4100090          | 1"     | 3/4" SAE |
|            | CEV 50 | M4100090          | 1"     | 3/4" SAE |
|            | CEV 80 | M4100095          | 1 1/4" | ODS 7/8" |