

## Ratio LS 2000

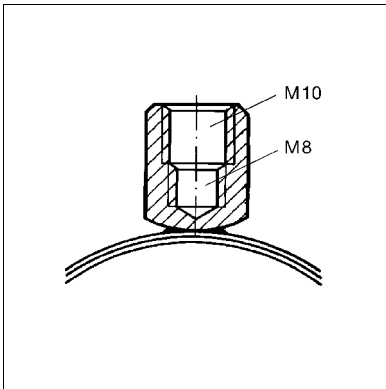
### Application

Two-piece pipe clamp with double threaded nut (M8/M10) for installing pipe systems for M+E services. For soundproof ceiling, floor and wall installations. With time-saving quick-set clip.

From 4" on, or when higher static loads occur, or under reversed bending stress, we recommend the use of a Stabil pipe clamp with lining.

### Installation

After pressing together both parts of the clamp, the clamping bolt head must be located behind the angled profiles; then tighten clamping bolt (max. 6 Nm).



### Technical Data

| Size [mm] | Working load (tension) |
|-----------|------------------------|
| 12 - 84   | 1.0 kN                 |
| 83 - 90   | 1.4 kN                 |
| 108 - 114 | 1.5 kN                 |

### Material:

|                         |  |
|-------------------------|--|
| Clamp                   | Steel, electro-galvanised                                  |
| Spring element          | Spring steel   |
| Sound absorption lining | SBR/EPDM (black) (see chapter "Sound Absorption Products") |
| Sound absorption        | up to 17 dB(A)   |

| Size range [mm] | NB          | Thread connections | W [kg] | Quantity/ pack | Part number |
|-----------------|-------------|--------------------|--------|----------------|-------------|
| 12 - 20         | 1/4" - 3/8" | 20 x 1.5           | 0.05   | 100            | 157418      |
| 21 - 27         | 1/2" - 3/4" | 20 x 1.5           | 0.06   | 100            | 157427      |
| 28 - 35         | 1"          | 20 x 1.5           | 0.07   | 100            | 157436      |
| 38 - 45         | 1 1/4"      | 20 x 1.5           | 0.09   | 50             | 157445      |
| 48 - 56         | 1 1/2"      | 20 x 1.5           | 0.09   | 50             | 157454      |
| 57 - 63         | 2"          | 20 x 1.5           | 0.10   | 50             | 157463      |
| 64 - 71         |             | 20 x 1.5           | 0.12   | 25             | 157472      |
| 74 - 84         | 2 1/2"      | 20 x 1.5           | 0.12   | 25             | 157481      |
| 83 - 90         | 3"          | 20 x 2.0           | 0.16   | 25             | 157490      |
| 108 - 114       | 4"          | 25 x 2.0           | 0.26   | 25             | 157506      |